

# niftylift HR21 4x4



(A) 20.8m  
68ft 6in



(B) 18.8m  
62ft



(C) 13m  
42ft 8in



250kg  
550lbs



1.8m x 0.8m  
5ft 11in x 2ft 8in



150°



160°



(D) 2.18m  
7ft 2in



(F) 2.27m  
7ft 5in



(H) 5.47m  
17ft 11in



(J) 6.62m  
22ft



6km/h  
3.7mph



3.89m  
12ft 9in



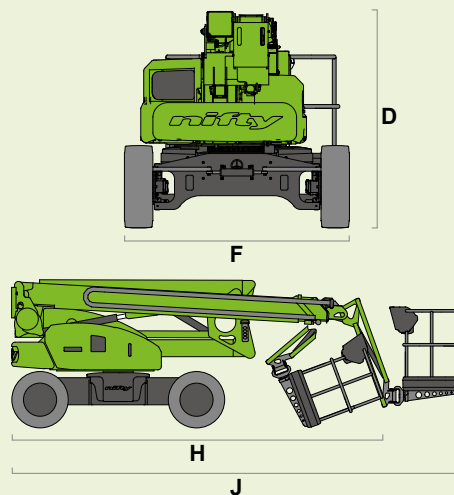
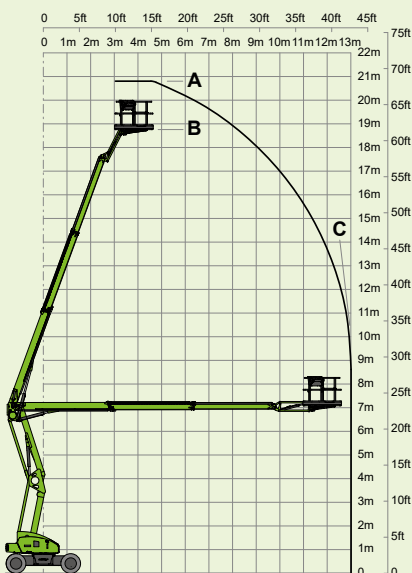
45%  
24°



6680kg  
14730lbs



Hybrid<sup>2</sup>



SiOPS<sup>®</sup> toughcage Niftylink<sup>®</sup> Gen<sup>2</sup> Hybrid

@mrplanthireuk | mr\_plant\_hire | @mrplanthireuk | @mrplanthireuk  
Head office: 120 Hertford Road, Enfield EN3 5AX | e: info@mrplanthire.co.uk

SCAN ME TO DOWNLOAD THE MPH APP  
EQUIPMENT INVENTORY | SPECIFICATIONS  
TUTORIALS | TRAINING | SUPPORT

020 8351 3434