

**niftylift HR12NE**



(A) 12.1m  
39ft 6in



(B) 10.1m  
33ft



(C) 6.4m  
21ft



200kg  
440lbs



1.2m x 0.85m  
3ft 11in x 2ft 9in



(D) 1.98m  
6ft 6in



(F) 1.49m  
4ft 11in



(J) 3.97m  
13ft



6km/h  
3.7mph



3.3m  
11ft 6in



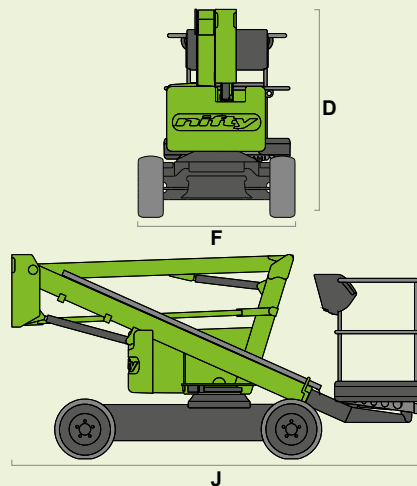
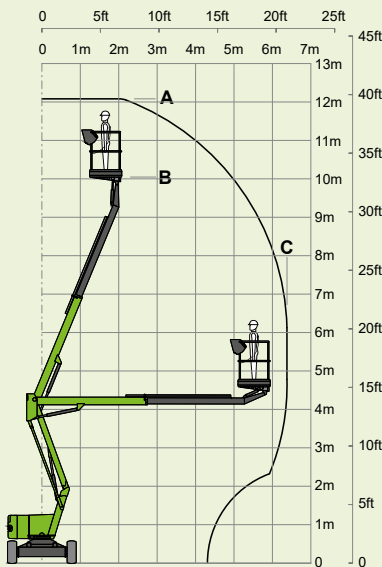
25%  
14°



3250kg  
7165lbs



All-Electric



**SiOPS®** **All-Electric**  
**toughcage** **Niftylink®**

@mrplanthireuk | mr\_plant\_hire | @mrplanthireuk | @mrplanthireuk  
Head office: 120 Hertford Road, Enfield EN3 5AX | e: info@mrplanthire.co.uk

**SCAN ME** TO DOWNLOAD THE MPH APP  
EQUIPMENT INVENTORY | SPECIFICATIONS  
TUTORIALS | TRAINING | SUPPORT

**020 8351 3434**