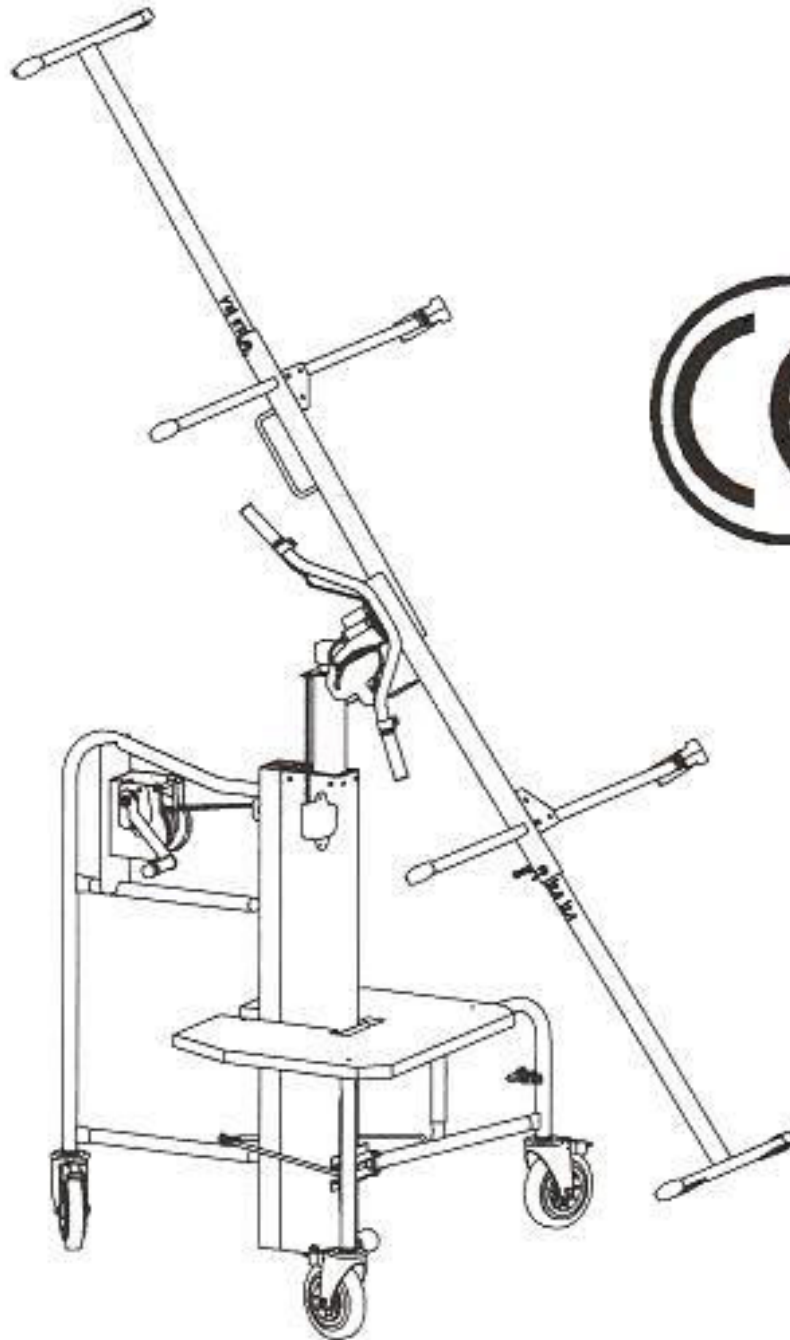


LEVPANO Combi.[®]

REF. 516500



[@mrplanthireuk](#) [mr_plant_hire](#) [@mrplanthireuk](#) [@mrplanthireuk](#)
Head office: 120 Hertford Road, Enfield EN3 5AX | e: info@mrplanthire.co.uk

020 8351 3434

F – CHARACTERISTIQUES

Equipé de :	3 roues freinées Ø 160
Plan d'appui des bras :	1.08 x 1.04 m
Ouverture maximum des rallonges de bras :	3.10 m
Hauteur de chargement :	0.68 m
Hauteur maximale de pose, plaque horizontale :	3.6 m / 4 m avec rallonge
Poids de l'appareil :	50 kg / 54 kg avec plateforme
Charge utile :	80 kg

GB – CHARACTERISTICS

Equipped with :	3 wheels provided with brakes, Ø 160
Arm support base :	1.08 x 1.04 m
Maximum opening of arm extensions :	3.10 m
Loading height :	0.68 m
Maximum fitting height, horizontal panel :	3.6 m / 4 m with extension
Weight of device :	50 kg / 54 kg with platform
Carrying capacity :	80 kg

D – MERKMALE

Ausstattung :	3 Räder mit Bremsc Ø 160
Auflagefläche der Arme:	1.08 x 1.04 m
Maximale Öffnung der Armverlängerungen:	3.10 m
Ladehöhe :	0.68 m
Maximale Verlegehöhe, waagerechte Platte:	3.6 m / 4 m mit Verlängerung
Gewicht des Gerätes:	50 kg / 54 kg mit Plattform
Nutzlast:	80 kg

NL – KENMERKEN

Uitgerust met :	3 wielen met rem Ø 160
Steunoppervlak van de armen:	1.08 x 1.04 m
Maximale uittrek lengte van de armverlengstukken:	3.10 m
Hoogte lading :	0.68 m
Maximale plaatsingshoogte, horizontale plaat:	3.6 m / 4 m met verlengstuk
Gewicht van het apparaat:	50 kg / 54 kg met platform
Nuttig laadvermogen:	80 kg

I – CARATTERISTICHE

Attrezzato di:	3 ruote con freno Ø 160
Piano di appoggio dei bracci:	1.08 x 1.04 m
Apertura massima delle prolughe dei bracci:	3.10 m
Altezza di carico :	0.68 m
Altezza massima di posa, lastra orizzontale:	3.6 m / 4 m con prolunga
Peso dell'apparecchio:	50 kg / 54 kg con piattaforma
Carico utile:	80 kg

E – CHARACTERÍSTICAS

Equipado con:	3 ruedas con freno Ø 160
Plano de apoyo de los brazos:	1.08 x 1.04 m
Apertura máxima de las prolongaciones de los brazos:	3.10 m
Altura de cargamento :	0.68 m
Altura máxima de colocación, placa horizontal:	3.6 m / 4 m con prolongación
Peso del aparato:	50 kg / 54 kg con plataforma
Carga útil:	80 kg

SOMMAIRE

F	Page	5	A - Instructions de montage et d'utilisation	
	Page	6	B - Règles de sécurité	
	Page	7	C - Montage de la manivelle du treuil	
	Page	8	D - Maintenance du LEVPANO Combis	
	Page	9	E - Guide de dépannage	
	Page	10	F - Procédure de changement des deux câbles de colonnes	
	Page	11	G - Schéma de principe du passage des deux câbles de colonnes	
	Page	12	H - Procédure de changement des câbles de commande tête	
				I - Procédure de changement des cales d'usure
	GB	Page	13	A - Fitting instructions and directions for use
Page		14	B - Safety rules	
Page		15	C - Fitting the winch's handle	
Page		16	D - Maintenance of the LEVPANO Combis	
Page		17	E - Troubleshooting guide	
Page		18	F - Procedure for changing the two cables	
Page		19	G - Schematic diagram of the passage of the two cables	
Page		20	H - Procedure for changing the head control cables	
				I - Procedure for changing the wear shims
D		Seite	21	A - Montage- und Gebrauchsanleitung
	Seite	22	B - Sicherheitsvorschrift	
	Seite	23	C - Montage der Windenkurbel	
	Seite	24	D - Wartung des Plattenhebers	
	Seite	25	E - Reparaturanleitung	
	Seite	26	F - Austausch der beiden Seile	
	Seite	27	G - Prinzipschaltbild des Übergangs der Zweikabel	
	Seite	28	H - Austausch der Steuerseile des Kopfs	
				I - Austausch der Verschleisskeite
	NL	Bladzijde	29	A - Montage- en gebruikshandleiding
Bladzijde		30	B - Veiligheidsregels	
Bladzijde		31	C - Montage van de krak van de lier	
Bladzijde		32	D - Onderhoud van de LEVPANO Combis	
Bladzijde		33	E - Om snel uit de nood te raken	
Bladzijde		34	F - Procedure voor de vervanging van de twee kabels	
Bladzijde		35	G - Principeschema voor het leggen van twee kabels	
Bladzijde		36	H - Procedure voor het vervangen van de bedieningskabels van de kop	
				I - Procedure voor het vervangen van de slijtageblokje
I		Pagina	37	A - Avvertenze per il montaggio e per l'utilizzo
	Pagina	38	B - Regole di sicurezza	
	Pagina	39	C - Montaggio della manovella dell'argano	
	Pagina	40	D - Manutenzione del LEVPANO Combis	
	Pagina	41	E - Guida per la riparazione dei guasti	
	Pagina	42	F - Procedura di cambio dei due cavi	
	Pagina	43	G - Schema di principio del passaggio dei due cavi	
	Pagina	44	H - Procedura per il cambio dei cavi di comando testa	
				I - Procedura per il cambio delle calzatoie di usura
	E	Página	45	A - Instrucciones de montaje y de utilización
Página		46	B - Normas de seguridad	
Página		47	C - Montaje de la manivela del torno de mano	
Página		48	D - Mantenimiento del LEVPANO Combis	
Página		49	E - Resolución de problemas	
Página		50	F - Proceso de cambio de los dos cables	
Página		51	G - Esquema de principio del paso de los dos cables	
Página		52	H - Procedimiento de cambio de los cables de accionamiento de cabeza	
				I - Procedimiento de cambio de los calces de desgaste

A – FITTING INSTRUCTIONS AND DIRECTIONS FOR USE

This device has been designed exclusively for **fixing plasterboard panels**. The manufacturer is not liable for any other use or for failure to apply the instructions strictly.

The wheels of the LEVPANO Combi® must be on level ground without any major obstacle.

Read the indicator plate on the device carefully.

1) Fitting the various elements of the LEVPANO Combi®

Proceed with the following operations:

Position the base on the 3 wheels, putting in place the 2 hooks.

Lock the wheels provided with a brake in order to facilitate the putting in place of the parts.

Position the beam and head assembly in the top part of the inner column.

Unlock the 2 folding arms which equip the beam, unfold them and lock them using the index pins provided for this purpose.

Fit the crank on the winch. (See its note page 14)

Possibility of fitting the platform supplied with the device for use in horizontal fixing and in fixing under pitches by fixing it using the 4 screws and the 4 wing nuts.

2) Horizontal fixing on ceiling

Adjust the movable feet by fitting the 2 hooks in the holes closest to the columns.

Fit the platform if necessary.

Position the extensions depending on the size of the panels but under no circumstances beyond the marks indicated on the extensions which give the maximum opening.

Position the panels so that the load is evenly distributed, loading height 0.68 m.

Fixing height 3.60 m and 4.00 m with the extension ref.516512 (in option).

3) Fixing under pitches

Adjust the movable feet by fitting the 2 hooks in the holes closest to the columns.

Fit the platform if necessary.

Fit, to the right of the handlebar, the fixing under pitches extension ref. 516511, positioning the metal stops upwards. Then put the other extension to the left of the handlebar, orienting the stops downwards.

Operate the top handle so as to release the beam assembly's tilting lock, then incline the assembly.

4) Vertical fixing on partition

Adjust the movable feet by fitting the 2 hooks in the holes furthest from the columns. The platform cannot be used in this configuration.

Then proceed with the following operations, following the pictogram appearing on the frame of the LEVPANO Combi® :

Immobilize the LEVPANO Combi® by locking the wheels provided with a brake and put it in the bottom position.

Fit, to the right of the handlebar, the vertical fixing extension ref. 516510, positioning the metal stops upwards. Then put the other extension to the left of the handlebar, orienting the stops downwards.

Adjust the arm extension ref. 516510 to the position corresponding to the length of the plasterboard panel to be fixed or to the value directly greater than the length of the latter.

Make sure that the pin is well fitted and that the extension is thus locked.

Take the end of the measuring tape out of its case so as to engage it in the housing of the support situated in the top part of the inner column.

Proceed to load the panel.

Turn the hoist's crank handle so as to move the arms away from the ground sufficiently thus permitting the 90° rotation of the plasterboard panel.

To do this, use the measuring tape, adjusting the length of the panel out of the case.

Operate the right handle so as to release the lock in order to pivot the panel and the arms by 90° in order to bring the assembly as far as it will go corresponding to the position permitting the vertical fixing of the panel.

Release the wheel brakes.

Move the LEVPANO Combi® in order to put the bottom of the plasterboard panel in contact with the uprights on which the panel will be fixed whilst operating the hoist's crank handle in order to bring the panel also into contact with the ground.

Whilst holding in the first instance the LEVPANO Combi®, operate the handlebar's left top handle so as to release the lock corresponding to the tilting of the panel. Push the LEVPANO Combi® in order to bring the panel into the vertical position, whilst turning the hoist's crank handle. Then bring the top end of the panel as far as it will go against the ceiling. Take advantage of this operation to adjust the panel sideways. Then immobilize the LEVPANO Combi® by operating the wheel brakes. The panel fixer can then put in a few screws so as to fix the panel to the uprights. The LEVPANO Combi® is again available after having released the wheel brakes and after having operated the hoist's crank handle.

NOTE : For the production of a high partition where this necessitates the fitting of two plasterboard panels one on top of the other, fit all of the top panels in the first instance. For this operation, swap the extension provided with the ordinary metal stops round with the extension provided with the metal stops with a hook, positioning this extension's stops upwards and the other's stops downwards. Then, again swap the two extensions round and proceed with the fixing of the bottom panels.

B – SAFETY RULES

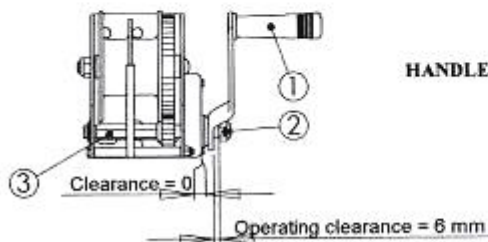
Make sure that :

- The wooden platform, when used, is securely fixed to the chassis
- All the elements are perfectly assembled,
- Nothing impairs the proper working of the LEVPANO Combi®
- Before lifting a load :
 - o Make function the LEVPANO Combi® and check the general state of the device
 - o Make absolutely sure that the cables are correctly wound on the winch's drums, and check their position in the groove of the corresponding pulleys.
 - o Verify that the cables are parallel to the inside of the columns so as to enable the assembly to work properly.
 - o Lock the brakes on the 3 wheels
 - o Make sure that the columns are clean.
 - o Operate the handlebar's 2 handles so as to test the operation of the rotation of the beam and of the tilting of the head.

Do not use the LEVPANO Combi® beyond the maximum capacity 80 kg
Do not stay under the load.

C – FITTING THE WINCH'S HANDLE

NOTE : For reasons of convenience and safety during transport, the winch's handle (item 1) is supplied dismantled, and the lock nut (item 2) fitted on the pin (item 3).



HANDLE FITTING INSTRUCTIONS

- 1) Remove the lock nut (item 2) from the pin (item 3)
- 2) Take the handle (item 1) and screw it completely on the pin (item 3) (without forcing), so that there is no clearance (See diagram: Clearance = 0).
- 3) Keep the winch and the crank handle in this position (Clearance = 0), irrespective of the angular position of the handle.
- 4) Fit the lock nut (item 2) onto the pin (item 3)
- 5) Whilst keeping the position of the crank handle in relation to the winch as indicated in paragraph 3, immobilize the pin (item 3) using pliers, or with a 16 mm open-end spanner, and lock the lock-nut (item 2) with a 19 mm open-ended spanner.
- 6) With the assembly correctly fitted, you must have a running clearance between the crank handle (item 1) and the nut (item 2) of about 6 mm.

D - MAINTENANCE OF THE LEVPANO Combi®

1) General maintenance

Verify at regular intervals :

- The condition of the cables, pulleys and pulley pins,
- The condition of the head tilting and beam rotation control cables.
- The condition of the rubber stops and shoes,
- The condition of the wear shims on the columns.
- The conditions of the wheels and the operation of the wheel brakes,
- The fixing and clamping devices,
- The cleanness of the columns, measuring tape and head.

And replace if necessary.

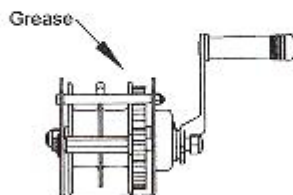
Any defective cable must be replaced by a genuine MONDELIN cable.

(Characteristics : diameter : 3 mm, composition : 7 x 19 wires, actual breaking load : 8.38 kN)

2) Maintenance of the winch :

The winch requires regular servicing by a competent department. Regular cleaning makes for a longer service life.

- Never work with a defective cable.
- Keep the pinions, bearings and reel pin well greased. Use a Molydal N° 3790 type grease.



- Keep the winch in good operating condition. Non-serviced mechanical parts can cause operating problems or even accidents.

E – TROUBLESHOOTING GUIDE

If there is apparently a fault on the LEVPANO Combi®, go through the following points before asking for it to be repaired :

DIFFICULTY	POSSIBLE CAUSE	CORRECTION
Device locked in the raised position	- Brake locked	Undo the crank handle and put it back in contact
	- Cables stuck and/or damaged	Check the passage of the cables and their condition
	- Columns locked	Check the cleanness of the columns
	- Sliding pads unserviceable	Change the wear shims kit
Comes down freely without brake	- Excess winch grease	Degrease the lock washer and the support
	- Tightening of the brake	Put the crank handle and the lock washer in contact
	- Lock washer inoperative	Check the condition of the washer
Goes up with difficulty	- Presence of foreign matter	Clean the device
Rotation of the arms or head jammed	- Cable unserviceable	Check the condition of the cables and replace them if necessary

NOTE :

- If the problem persists, contact the After-Sales Department
- For any spare parts order, refer to the exploded view, page 53

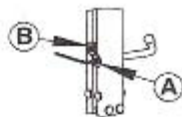
F – PROCEDURE FOR CHANGING THE TWO CABLES

Material required :

One 8 mm open-ended spanner	One 8mm tubular hexagon box spanner	Pliers
One 10 mm open-ended spanner	One 17mm tubular hexagon box spanner	One Traction cable ref. 516505
One 17 mm open-ended spanner	One 3mm Allen wrench	One Safety cable ref. 516504

1) Removing the safety and traction cables

- On the LEVPANO Combi® in the working position, remove the beam, arm and head assembly.
- Unwind the winch's 2 cables completely (pull on them). The 2 cables are fixed on the winch's reel by means of 2 cable clamps. Remove the 2 cable clamps on the outside of the reel then, using the 8 and 10 mm open-ended spanners, unscrew the 2 cable clamps. The 2 cables are thus released.
- Using the 17 mm open-ended spanner and the 17 mm tubular hexagon box spanner, undo the M10 lock nut situated in the bottom part of the frame so as to remove the M 10x90 hex. head screw, in order to release the columns, items 1, 2 and 3 of frame, item 4
- Remove through the bottom part of the frame, item 4, the inner column, item 1, intermediate column, item 2 and outer column, item 3, assembly (with the cables). Position this assembly horizontally on two trestles (see diagrams, page 18).
- Separate the inner column rep 1 from the intermediate column rep 2 (see drawing page 18).
- Separate the intermediate column rep 2 from the extérieure column rep 3 (see drawing page 18)
- Using an 8 mm tubular hexagon box spanner and a 3 mm Allen key, undo the M5 lock nut so as to release the worn traction cable ref. 516505 from the support (item A). Replace the latter with the new cable. (**Caution : do not confuse the traction cable and the safety cable. The traction cable has a shorter loop than the safety cable. Be sure also to take care of the wear shims when removing and refitting the columns).**)



- Using pliers, move the spring's loop away so as to disengage the worn safety cable ref. 516504 then, using a 8 mm tubular hexagon box spanner and a 3 mm Allen key, undo the M5 lock nut so as to release the cable once and for all from its support (item B). Replace the latter with the new cable ref. 516504, attaching it after the spring (tighten the spring's loop).

2) Refitting the cables

- Thread the safety and traction cables onto the top pulleys of the intermediate column (item 2). Then slide the assembly into the intermediate column, and thread the cables according to the sketch page
- Thread the safety and working cables onto the top pulleys of the outer column (item 3). Then slide the assembly into the outer column, item 3, and thread the cables according to the drawing below.
- Engage the 2 cables in the bottom part of the frame, item 4, in order to recover them in the top part.
Thread the 2 cables onto the pulleys of the frame, item 4
- Refit the item 1, 2 and 3 columns assembly in the frame, item 4, taking care not to trap the cables (operation « d » to be carried out during refitting, see drawing below)
- Refit the screw, item 5 and its nut (operation « c » to be carried out during refitting, see drawing below)
Be sure to tighten the nut (without forcing), so that there is no clearance.

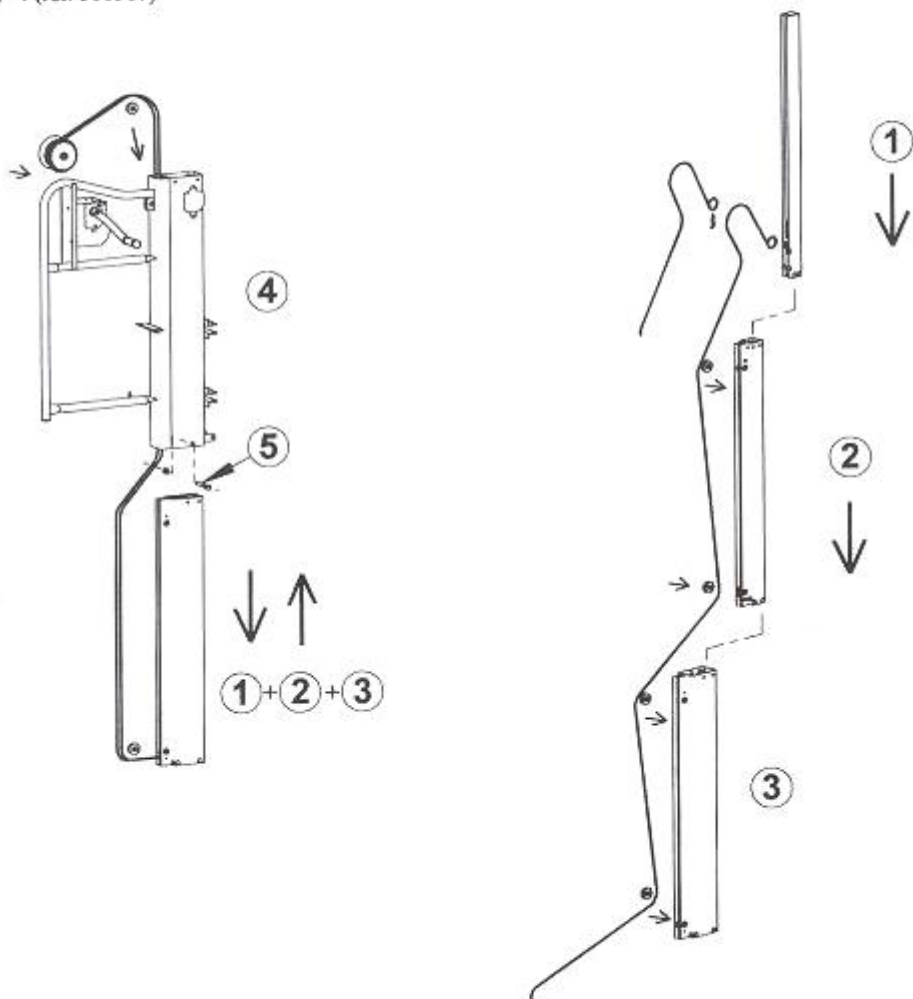
- f) Refit the 2 cables on the winch's reels, taking care not to cross them, Fix the cable clamps at each end of the cables (operation « b » to be carried out during refitting). Using the crank handle, wind the cables onto the winch
- g) Refit the head, the beam and the arms, then do a few raising and lowering tests.

RECOMMENDATIONS :

- * Do not overlap the cables when refitting.
- * Take care to make the position of each part visible before removing it so as to limit the risks or errors.

G – SCHEMATIC DIAGRAM OF THE PASSAGE OF THE TWO CABLES

Stacking of columns n° 1 (ref. 516514) in n° 2 (ref. 516515), then in n° 3 (ref. 516516) and all of it in frame n° 4 (ref. 516517)



H - PROCEDURE FOR CHANGING THE HEAD CONTROL CABLES

Material required :

One 2mm Allen key

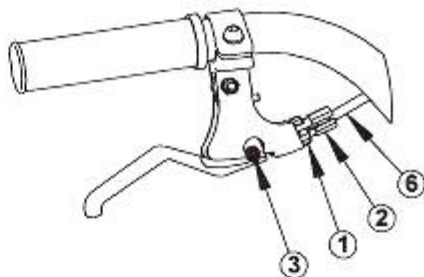
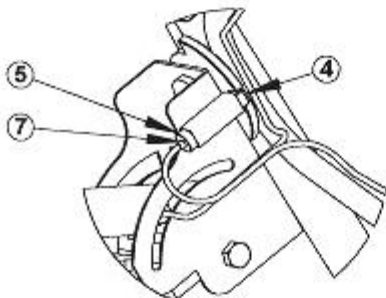
1 kit 3 Head tilting cable, ref. 516542

1 kit 4 Beam rotation cable, ref. 516543

1) Removing the head tilting control cable or the beam rotation control cable

The procedure is the same for replacing either of these two cables.

- Remove the beam, arm and head assembly from the LEVPANO Combi® and put this assembly on a work surface.
- Undo the nut (item 1) and tighten the tensioner (item 2) so as to reduce the tension of the cable to be replaced.
- After having put the recesses of the handle, tensioner and nut into correspondence, disengage the handle's sleeve, cable and cable clamp assembly.
- Using a 2mm Allen key, undo the cable clamp's screw (item 3).



The cable is thus released.

- Remove the sleeve (item 6) and disengage the cable from the lock (item 4).

Replace this cable with the corresponding new cable.

2) Refitting the head tilting control cable or the beam rotation control cable

- Thread the new cable into the lock (item 4) in order then to remove it from the sleeve guide's hole (item 5)
- Engage the cable in the end fitting's hole (item 7), then in the sleeve (item 6) (accessories supplied with the cable).
- Position the end fitting and the sleeve in the sleeve guide (item 5)
- Screw up the cable clamp (item 3) at the end of the cable, using the 2mm Allen key.
- Put the recesses of the handle, tensioner and nut in correspondence with each other and engage the cable and cable clamp assembly in this recess.
- Undo the tensioner (item 2) so as to give sufficient tension to the cable, then tighten the nut (item 1)

RECOMMENDATIONS :

- Take care to make the position of each part before removing it so as to limit the risks of errors.

I - PROCEDURE FOR CHANGING THE WEAR SHIMS

Material required :

- | | |
|-----------------------------|---|
| One 10mm open-ended spanner | 2 kits 1 aluminium intermediate and outer columns wear shims
ref. 516534 |
| One 8mm open-ended spanner | 2 kits 2 frame and aluminium inner columns wear shims ref. 516535 |

1) Removing the columns

- Proceed in the same way as for changing the traction and safety cables concerning the removal of the columns (see page 18)

2) Changing the wear shims

- First of all remove all of the wear shims from the inner column, item 1, and frame, item 4.
- Replace these shims with the wear shims from the 2 kits 2 ref. 516535.
- Remove all of the wear shims from the intermediate column, item 2 and outer column, item 3.
- Replace these shims with the wear shims from the 2 kits 1 ref. 516534, complying with the correspondence of the diameters 8 or 10 between wear shim and column hole.

NOTE : For all of these wear shims, be very sure to fit: from the inside those situated in the top part of the columns, and from the outside those situated in the bottom part of the columns.