

020 8351 3434

G.Winch



## User Instruction Manual

(Original Instructions)  
Issue 006.  
Nov 2021.

Manually Operated Winch  
for the Lifting of  
Personnel and Loads.

Suitable for Frequent  
Raising/Lowering of  
Personnel

Directive 2006/42/EC  
Supply of Machinery  
(Safety Regulations) 2008



 @mrplanthireuk  mr\_plant\_hire  @mrplanthireuk  @mrplanthireuk

Head office: 120 Hertford Road, Enfield EN3 5AX | e: [info@mrplanthire.co.uk](mailto:info@mrplanthire.co.uk)

EU + UKCA Declaration Of Conformity available at  
<https://www.globestock.co.uk/technical/declarations-of-conformity/>

# USER INSTRUCTIONS

## Contents

<b>1</b>	<b>Important Notice</b> .....	<b>1</b>
<b>2</b>	<b>G.Winch for Lifting Personnel</b> .....	<b>2</b>
<b>2.1</b>	<b>Anchorage Requirements</b> .....	<b>2</b>
<b>3</b>	<b>Inspection Before Use</b> .....	<b>3</b>
<b>4</b>	<b>Considerations for Use</b> .....	<b>3</b>
<b>5</b>	<b>Setup For Use</b> .....	<b>4</b>
<b>5.1</b>	<b>Attaching Brackets to the G.Winch</b> .....	<b>5</b>
<b>5.2</b>	<b>Attaching to the G.Tripod – Using the Overhead Pulley</b> .....	<b>7</b>
<b>5.3</b>	<b>Attaching to the G.Tripod – Using the Underslung Pulley</b> .....	<b>8</b>
	Figure 2 .....	9
	Figure 3 .....	10
<b>6</b>	<b>Inspection And Maintenance</b> .....	<b>11</b>
<b>6.1</b>	<b>Periodic Examination</b> .....	<b>11</b>
<b>6.2</b>	<b>Service and Re-certification</b> .....	<b>11</b>
<b>6.3</b>	<b>Cleaning, Storage And Transportation</b> .....	<b>11</b>
	<b>Examination Record Card</b> .....	<b>12</b>

# **1 Important Notice**

READ EQUIPMENT LABELS AND 'USER INSTRUCTIONS' BEFORE USING THIS PRODUCT.

BEFORE USING THIS EQUIPMENT IT IS ESSENTIAL THAT USERS ARE FULLY AWARE OF HOW THE EQUIPMENT OPERATES, WHERE IT SHOULD BE USED, WITH A PREDETERMINED ACTION PLAN FOR BOTH THE USE AND RECOVERY SHOULD AN EMERGENCY ARISE.

This product has been developed to enable the safe entry of personnel into a restricted access or confined space. Recommended use is in conjunction with a G.Saver II fall arrest and retrieval device, to protect against potential falls occurring during use. The G.Saver II also provides a backup retrieval system for use in an emergency or an unforeseen occurrence.

This equipment is for use where other means of access are not practical.

When in use please observe the Maximum Working Load of both the G.Winch model and the anchorage device or structure. The person raised or lowered should never be left to work alone. There must always be another person present to supervise and operate the G.Winch.

Both the person being raised / lowered and the equipment operator should be adequately trained.

## **PRIOR TO USE:**

A formal risk assessment must be carried out, considering use and the emergency rescue procedure.

Users must be fully conversant with the operation of the equipment.

The 'Before Use Checks' must be performed (see section 3 – Inspection Before Use).

Verify that the maximum weight to be lifted is within the maximum working load of all equipment to be used.

## 2 G.Winch for Lifting Personnel

The G.Winch is a personnel and load winch fitted with a maximum of 40 metres of wire rope for confined space use and for the routine raising & lowering of personnel and loads. It can be attached to the G.Tripod or similar EN795 anchorage device. It can be used where regular lifting is required.

The G.Winch is recommended for use in conjunction with a fall arrest and retrieval device such as the G.Saver II. This system then incorporates EN360 fall protection, with an additional safety line to rescue the user in the event of an unforeseen occurrence. Use in this manner provides the maximum level of safety possible.

The winch handle has two possible positions. When fitting the handle, ensure that the wing screw is securely located into one of the two locating depressions.

The G.Winch has an anti-run brake that holds with position of the person or load when the handle is released.



### 2.1 Anchorage Requirements

Use of an EN795 anchor device, such as the G.Tripod is recommended. Suitable brackets are available. In any case the structure must be of adequate strength or rating to accommodate the weight lifted. Beware of anchorages designed for materials handling, they generally have lower strength requirements than should be used for lifting people. Custom brackets used to adapt the G.Winch to fit an anchorage structure must be of adequate strength. If in any doubt, contact your supplier or the manufacturer for advice.

### **3 Inspection Before Use**

Before using the G.Winch inspect as follows.

#### **Inspection**

1. With the G.Winch mounted on an EN795 anchorage device such as the G.Tripod, inspect the mounting brackets, ensuring they are in good condition
2. With the winding arm removed from the winch, lift and hold up the pawl so as to disengage the anti-run brake. Pull the wire rope off the drum, releasing the pawl. The anti-run brake should engage and lock firmly preventing further rope from being pulled further off the drum.
3. Attach the winch arm. **Check that it is firmly held in place by the locking screw.** Rotate the winch arm to spool rope onto the drum. An audible clicking should be made by the pawl to confirm the correct functioning of the anti-run brake.
4. **The rope must be wound tightly onto the drum to prevent the line from burying into the lower layers during use.**
5. Inspect the entire system for any signs of damage, wear or malfunction.
6. Inspect the wire rope. No kinks, broken strands or excessive wear should be observed.
7. Ensure the safety hook is free of damage and functions correctly, the gate locks positively.

**Before operating and during use of the G.Winch** visually check the equipment and the path of the wire rope to ensure no fouling. The person raised / lowered and the winch operator both need to be vigilant before and during use. It is then safe to rotate the winding arm.

### **4 Considerations for Use**

- Do not exceed the maximum working load of the G.Winch
- Should any doubt arise about the safe condition of this device **DO NOT USE**. Return to a Globestock authorised servicing agency for assessment, service and re-certification, before further use
- The G.Winch weighs approximately 21kg. Manual handling and attaching to the G.Tripod should be performed by 2 people
- This equipment must be used by at least two people, one to operate the winch as the other is lowered / raised
- The G.Winch operator should maintain communication at all times with the person being lowered / raised
- The G.Winch may only be used by trained or otherwise competent persons

- Personnel Protective Equipment should be worn when using this equipment. Eg. Appropriate gloves, safety glasses, safety shoes, etc.
- Wear gloves to protect your hands when inspecting or handling the wire rope
- During a lifting operation keep hands clear of the rope drum, as the winch line pulled onto the drum can trap and cause injury to fingers
- The G.Winch should only be used within the temperature range of -15° to 60° centigrade. If the intended use is outside of this range then consult supplier or manufacturer for guidance
- The G.Winch is recommended for use in conjunction with a Fall Arrest and Retrieval device such as the G.Saver II. This provides a secondary safety line, with fall protection and emergency retrieval, ensuring maximum safety of the person being raised or lowered.
- Ensure the path of travel of the person to be raised or lowered, is free of obstructions.
- Attach the rope's safety hook directly to the person's body harness attachment point or the connection point on the carrier.
- The last meter of rope is coloured red to indicate the rope is near its end, this section is not to be used and is addition to the stated length of rope.
- Do not allow slack cable during use. This cable may tangle or foul, hindering the safe retrieval of the user and it may make it possible for the user to fall, causing fatal injury.
- Do not allow the rope safety line to pass over sharp edges, electrical items/cables.
- Do not allow the rope safety line to become frayed or to kink as this weakens the rope.
- A clearly understood, predetermined action plan should be in place and implemented in the event of an emergency.
- Do not disengage the Anti-Run Brake while the G.Winch is under load.

## **5 Setup For Use**

If in any doubt please contact either a specialist or Globestock for advice.

Connect the G.Winch to a suitable anchorage such as an EN795 device. The G.Tripod is the ideal anchorage device. The use of a G.Saver II provides an additional safety line, giving the maximum level of safety.

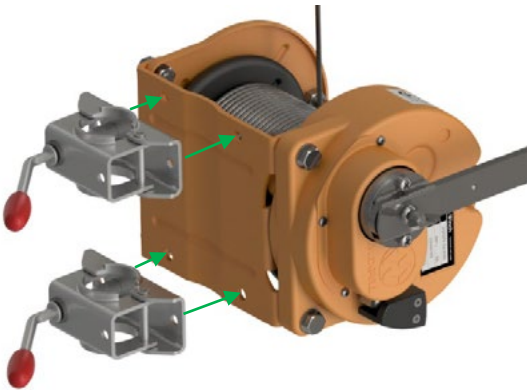
The equipment should be inspected and setup in a safe area. All pre-use checks must be completed before the assembly can then be moved into place by two or more people, so that it is ready for use. Perform a final visual inspection, and the equipment is ready to use.

**Before operating the G.Winch** visually check the path of the wire rope and the equipment to ensure no fouling. Check with the user to ensure he/she is ready. It is then safe to rotate the winding arm.

## 5.1 Attaching Brackets to the G.Winch

To mount the G.Winch to a G.Tripod, or other suitable 48 mm tube, a set of mounting brackets (part code GSE200WB) must be fitted. Each GSE200WB is comprised of:

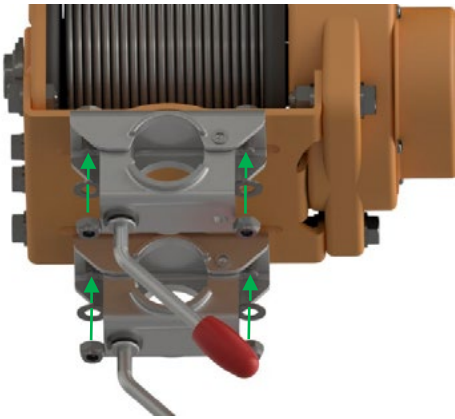
Parts	Qty	Tools required	Qty
D200-015: M10 Bolt	4	17 mm Spanner	2
907-34: M10 Washer	8		
907-26: M10 Nyloc Nut	4		
SA200WB: Winch bracket fitted with clamp handle	1		



1. Place the winch brackets against the rear backing plate of the G.Winch with the holes aligned. **Ensure the brackets are in the orientation shown.**

2. Place a washer and bolt through each hole as shown.





3. Insert a washer and screw on a nyloc nut to each bolt and fasten tight using a 17 mm spanner on the head of the bolt and on the nut simultaneously.

4. Once the brackets are fully secure, the G.Winch can be mounted to the leg of the G.Tripod.

## **5.2 Attaching to the G.Tripod – Using the Overhead Pulley**

See Figure 2, page 9

1. The G.Tripod should be opened up and set down on its feet at the lowest setting.
2. Lay the G.Winch next to one of the side legs of the G.Tripod and lay the G.Saver II next to the fixed leg.
3. Pull back the G.Winch's pawl and hold, so the anti-run brake is temporarily disconnected. Pull 3 metres of rope off the drum.
4. Fit the rope over the pulley head of the G.Tripod and secure with the retention pin.
5. Raise the G.Tripod to the required height. Take the first leg and extend it to the first intermediate setting. Then take the second leg, extend it to the desired height and repeat with the third leg. Finally adjust the first leg so all legs are at the same height.
6. Attach the G.Saver II to the upper fixed leg of the G.Tripod, as shown in the picture, figure 2.
7. With the G.Winch on the ground, unscrew the mounting bracket lever arms, so that the winch is ready to fit to the G.Tripod.
8. Attaching the G.Winch to the G.Tripod is best performed by two people. Lift together, the G.Winch onto the top of the tripod leg.
9. One person holds the winch in place, with the weight of the winch supported by the tripod leg. The other person fastens the brackets to hold the winch onto the leg.
10. When using the overhead pulley, keep the winch on the outside of the leg. Both brackets are then securely tightened.
11. Both the ropes hanging at the centre of the tripod can be attached back to their respective devices, taking up slack wire rope.
12. The Access System can then be visually inspected before moving into place over the access hole.

## **5.3 Attaching to the G.Tripod – Using the Underslung Pulley**

See Figure 3, page 10

1. The G.Tripod should be opened up and set down on its feet at the lowest setting.
2. Lay the G.Winch next to one of the side legs of the G.Tripod and lay the G.Saver II next to the fixed leg.
3. Pull back the G.Winch's pawl and hold, so the anti-run brake is temporarily disconnected. Pull 3 metres of rope off the drum.
4. Fit the pulley assembly to the rope and attach to the bownut underneath the head of the G.Tripod.
5. Raise the G.Tripod to the required height. Take the first leg and extend it to the first intermediate setting. Then take the second leg, extend it to the desired height and repeat with the third leg. Finally adjust the first leg so all legs are at the same height.
6. Attach the G.Saver II to the upper fixed leg of the G.Tripod, as shown in the picture, figure 2.
7. With the G.Winch on the ground, unscrew the mounting bracket lever arms, so that the winch is ready to fit to the G.Tripod.
8. Attaching the G.Winch to the G.Tripod is best performed by two people. Lift together, the G.Winch onto the top of the tripod leg.
9. One person holds the winch in place, with the weight of the winch supported by the tripod leg. The other person fastens the brackets to hold the winch onto the leg.
10. Keep the brackets loose enough to rotate the winch so that it is positioned to the underside of the tripod leg, so the rope follows the line of the pulley. Once in position, tighten down the brackets.
11. Both the ropes hanging at the centre of the tripod can be attached back to their respective devices, taking up slack wire rope.
12. The Access System can then be visually inspected before moving into place over the access hole.

Figure 2

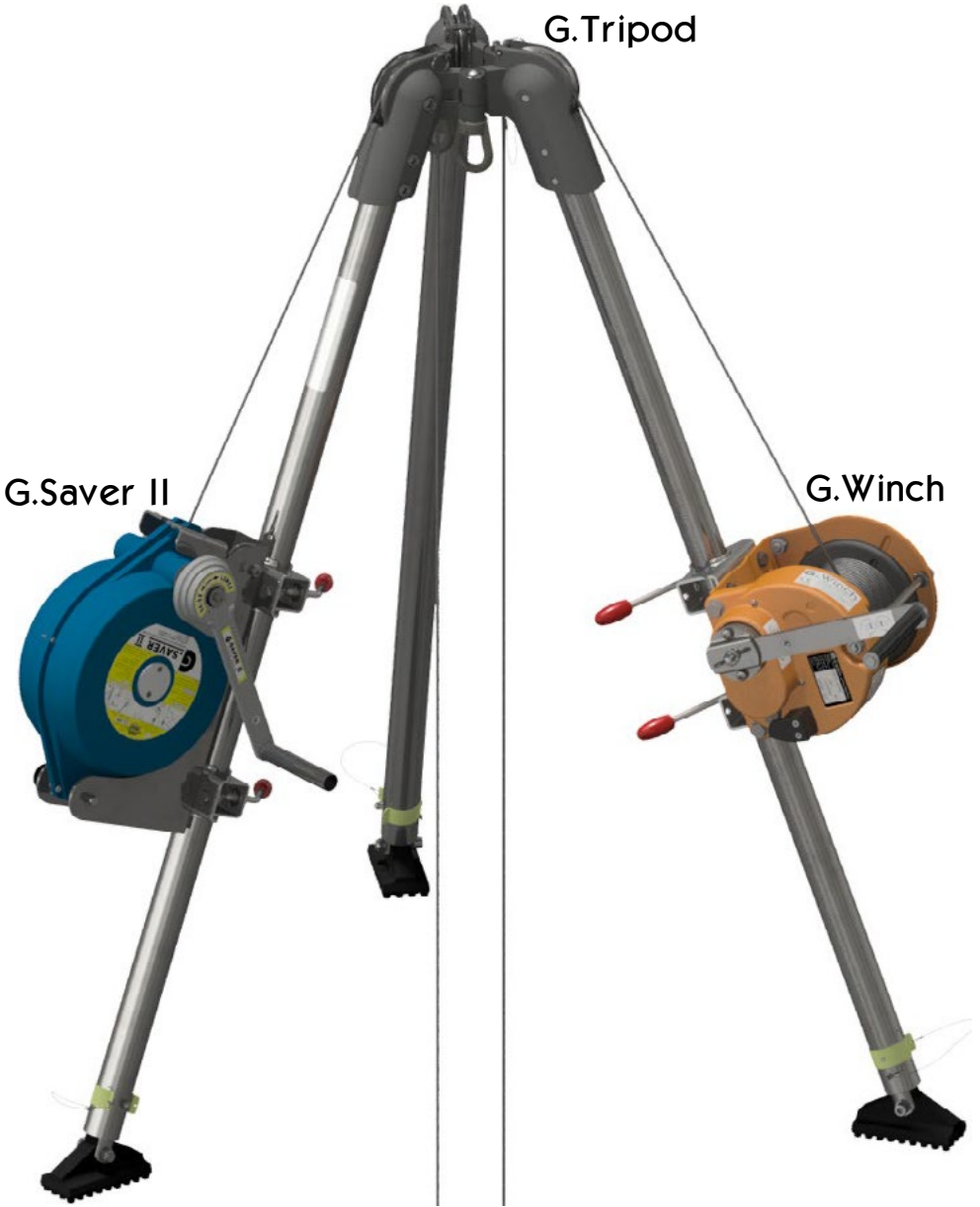
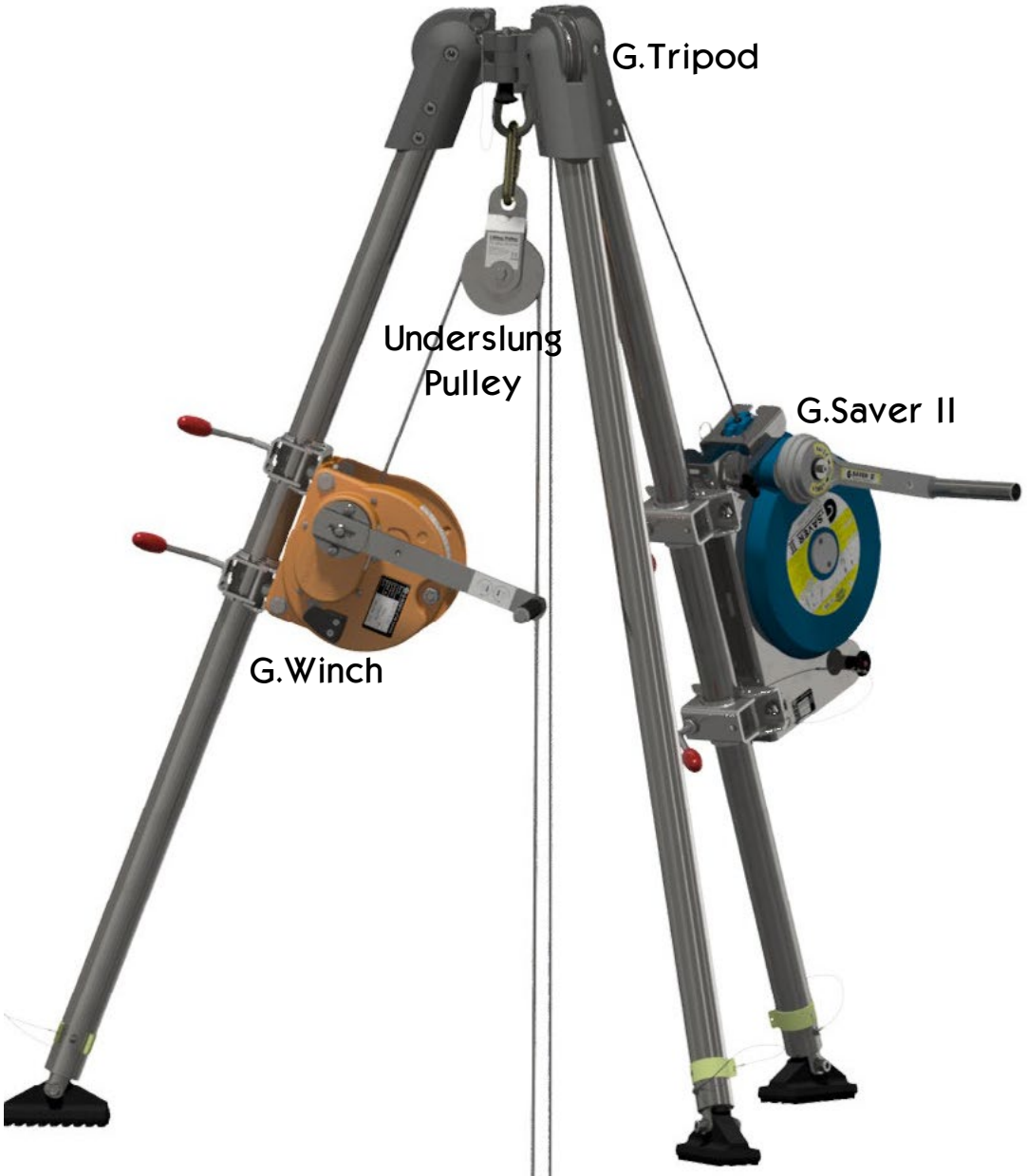


Figure 3



## **6 Inspection And Maintenance**

Like all safety critical complex mechanical devices, the G.Winch requires regular inspection and maintenance to ensure that the unit functions safely and correctly. Repairs or servicing should never be carried out on site or in the field. Do not tamper with or modify the unit.

### **6.1 Periodic Examination**

The G.Winch should be periodically inspected by a competent person at **least once in every 6 months**, depending on the frequency of use and the operating environment. The 'Inspection Record' found on the page opposite in this booklet, outlines the main examination criteria. On passing this detailed inspection the record opposite can be completed, signed off and the unit returned for use. Any observed faults must be rectified. If necessary or **in any doubt**, return the G.Winch for service, test and re-certification.

### **6.2 Service and Re-certification**

The G.Winch must be returned to a Globestock approved servicing agency for servicing annually or if any doubt should arise concerning the units condition. On completion of a service and retest, a new test certificate will be issued which validates the unit for a further year of use.

### **6.3 Cleaning, Storage And Transportation**

The G.Winch's exterior may be cleaned using warm water with a mild detergent. It should then be allowed to dry.

In order to maintain the wire rope safety line, remove any soiling. Apply a little light oil to a cloth. Hold the cloth around the rope, allowing the rope to pass through the cloth. This will leave the rope lightly oiled.

The unit should be stored in a clean, dry, chemical free environment.

When transporting the G.Winch, it should be boxed or retained to prevent damage or deterioration.

# INSPECTION RECORD CARD

**G. WINCH**

Manufacture Date: .....

Serial No.: .....

Case / Housing		General Condition	DATE	SIGN
Housing  Free of warp/damage & cracks Fasteners present & secure S. W/L present Serial Number present & legible		Free of excessive corrosion		
		Free of warp/damage & cracks		
		Fasteners present & secure		
		S. W/L present		
Function  Smooth action as handle turned Rope Drum rotates freely No broken stands or kinks Free of severe corrosion Thimble present Anchor plate secure		Smooth action as handle turned		
		Rope Drum rotates freely		
		No broken stands or kinks		
		Free of severe corrosion		
Cable  Free of severe corrosion Thimble present Anchor plate secure		Free of severe corrosion		
		Thimble present		
		Anchor plate secure		
		Gate functions freely		
Karabiner  Swivel action operates Free of damage & corrosion		Swivel action operates		
		Free of damage & corrosion		
		Clicking sound as handle is turned		
		Pawl moves freely / is unobstructed		
Anti-Run Brake  Pawl is free from damage Mechanism locks when cable pulled out (10kg force )		Pawl is free from damage		
		Mechanism locks when cable pulled out (10kg force )		
				Record of Service & Recertification.