

# ARMORGARD OXBOX

OX4

## oxbox™

Product code: OX4

- » Secure range of storage boxes.
- » Suitable for storing tools and equipment.
- » Unique external and internal anti-jemmy systems for added security.



Watch the OxBox in action

## Product features



2x 5-lever  
deadlock



Gas strut (450N)



SlamStop lid stay



No detachable  
parts



Suitable for site

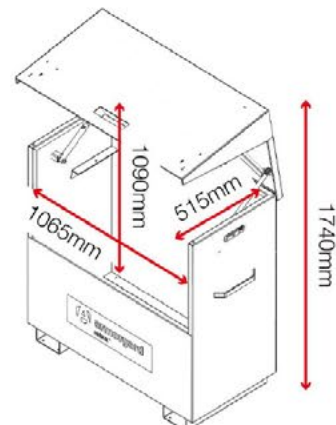
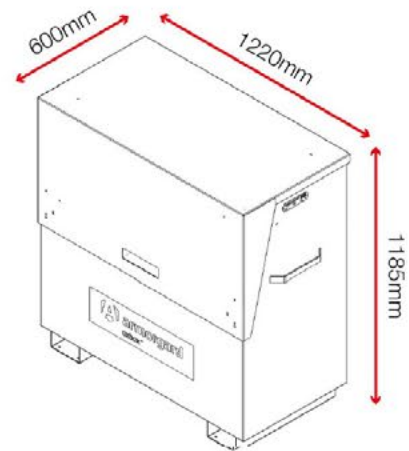


Built in handles

## Product specifications

Weight	89kg
Colour	Black grey: RAL 7021
Suitable for	Site
Finished coating	Powder coated
Material & thickness	1.5mm and 2.5mm steel
Quantity of keys	3 keys
How are castors fitted?	Quick-fix bolt on heavy-duty castor kit
Other sizes available	5 other sizes
Qty of shelves as standard	No

## Dimensions



## Optional extras - Contact Armorgard to find out more



Castor kit CAS160-KS-FX-SB-CP



OxBox Shelf OX-S