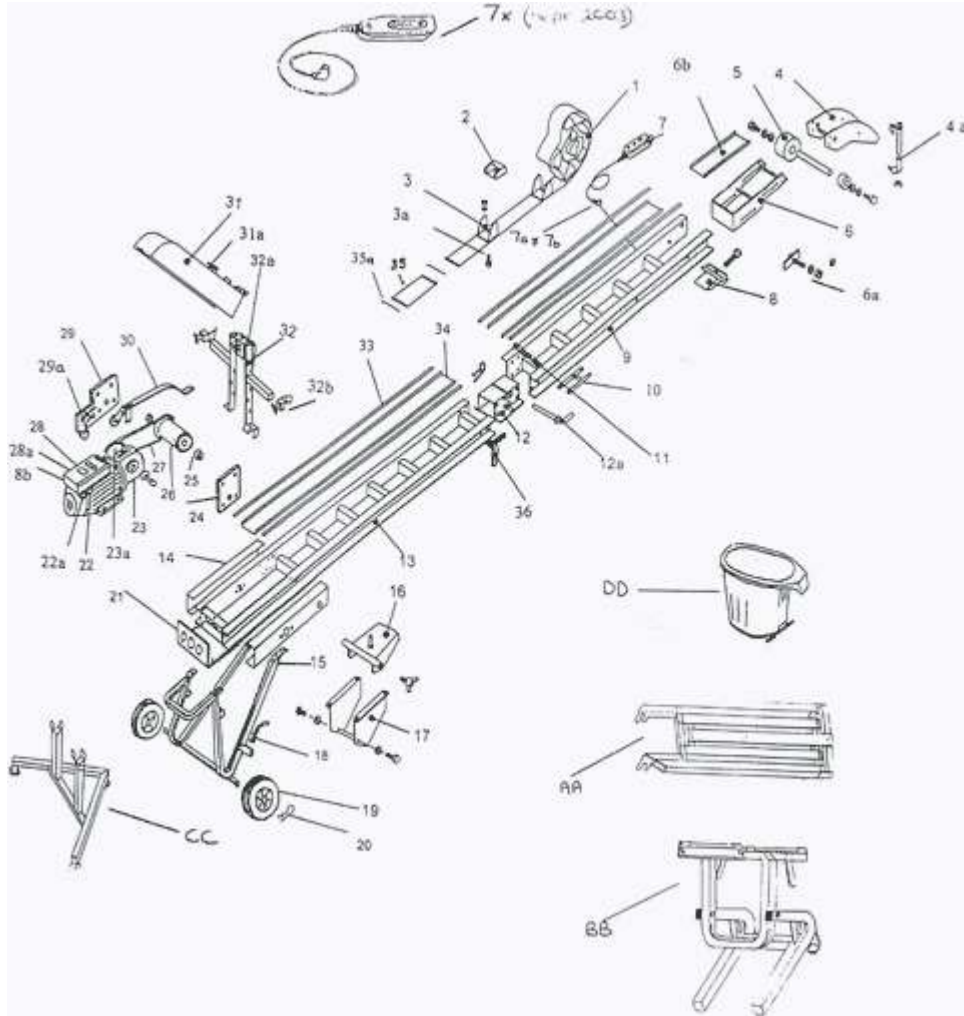


PART NO.	DIAGRAM NO.	PARTS DESCRIPTION	
NB05	1	Main Belt	8mtr Drilled
NB06	1	Main Belt	8mtr Complete
NB07	1	Main Belt	10mtr Drilled
NB08	1	Main Belt	10mtr Complete
NB10	2	Bucket Hook	
NB09	3	Standard Hook	
NB09a	3a	Bucket Bolts	
DH1	4	Delivery Head	
SC1	4a	Scaffold Clamp	
TD1	5	Top Drum	
AA1	6	Adjuster Assembly Complete	
AA11	6a	Butterfly Bolt	
AA111	6b	Adjuster Tray	
PC1	7	Pendant Control (3 buttons)	
NCPS1	7a	Pendant Socket	
NCPP1	7b	Pendant Plug	
NB02	8	Top Belt Guide	
NB18	9	Top Frame	8 mtr
NB19	9	Top Frame	10 mtr
BTD1	10	Belt Tidy Device	
NB17	11	Belt Tidy Springs (pair)	
H1	12	Hinge Complete	
H9	12a	Hinge Pin & Clip	
NB20	13	Base Frame	8 mtr

NB21	13	Base Frame	10 mtr
NB35	14	Strengthened Gusset (MKII)	
B11	15	Bogey	
BG5	16	Bottom Belt Guide	
UG1	17	Underguard Assembly	
BA1	18	Brake Assembly (each)	
WH1	19	Wheel (each)	
NB25	20	R' Grip	
MMP	21	Motor Mounting Plate	
MTR1	22	Motor	
MTR11	22a	Capacitors (set)	
GB1	23	Gearbox	
NB29	23a	Leyshaft Complete	
DP1	24	Drum Plate	
DB1	25	Drum Bearings (per pair)	
DD1	26	Drive Drum	
NB28	27	Chain & Link	
CBMKII	28	Control Box (MKII)	
PCB1	28a	P.C.B. Board	
R1	28b	Relay (each)	
CF1	29	Chain Failsafe Device	
TS1	29a	Tensioner Sprocket	
CT1	30	Chain Tensioner Assy	

NB22	31	Top Cover	
NB221	31a	Emergency Stop Button	
LH1	32	Loading Hoop	
RSG1	32a	Reverse Stop Gate	
MS1		Micro Switch	
LG2	32b	Loading Guide (each)	
NB03	33	Wear Rails	8 mtr
NB04	33	Wear Rails	10 mtr
NB13/15	34	Belt Trays	8 mtr
NB14/16	34	Belt Trays	10 mtr
NB12	35	Belt Joiner	
NB12a	35a	Belt Joiner Pins (pair)	
MT1	36	Machine Trestle	
SH1	AA	Shute	
SS1	BB	Scaffold Stand	
TM1	.	10 mtr Prop	
HC1	.	Hip Clamps (per pair)	
BS1	CC	Base Stand	

**BUMPA II (ELECTRIC)  
PARTS BREAKDOWN**



🐦 @mrplanthireuk    🌐 mr\_plant\_hire    📘 @mrplanthireuk    📷 @mrplanthireuk  
Head office: 120 Hertford Road, Enfield EN3 5AX | e: info@mrplanthire.co.uk

**SCAN ME** TO DOWNLOAD THE MPH APP  
EQUIPMENT INVENTORY | SPECIFICATIONS  
TUTORIALS | TRAINING | SUPPORT

**020 8351 3434**