

# Genie® Superlift Advantage® SLA™ -5, SLA-10, SLA-15, SLA-20 & SLA-25

## Specifications

Models	SLA-5		SLA-10		SLA-15		SLA-20		SLA-25	
	US	METRIC	US	METRIC	US	METRIC	US	METRIC	US	METRIC
Working height - standard forks (forks down)	4 ft 10.5 in	1.49 m	9 ft 9 in	2.97 m	14 ft 7.5 in	4.46 m	19 ft 6 in	5.94 m	24 ft 4 in	7.42 m
Working height - standard forks (forks up)	6 ft 7 in	2.0 m	11 ft 5.5 in	3.49 m	16 ft 4 in	4.98 m	21 ft 2.5 in	6.46 m	26 ft .5 in	7.94 m
Working height - adjustable forks (forks down)	4 ft 10.5 in	1.49 m	9 ft 9 in	2.97 m	14 ft 7.5 in	4.46 m	19 ft 6 in	5.94 m	24 ft 4 in	7.42 m
Working height - adjustable forks (forks up)	6 ft 7 in	2.0 m	11 ft 5.5 in	3.49 m	16 ft 4 in	4.98 m	21 ft 2.5 in	6.46 m	26 ft .5 in	7.94 m
Working height - flat forks	4 ft 10.5 in	1.49 m	9 ft 9 in	2.97 m	14 ft 7.5 in	4.46 m	-	-	-	-
Working height - boom <sup>(3)</sup>	5 ft 10.5 in	1.79 m	10 ft 9 in	3.28 m	15 ft 7.5 in	4.76 m	20 ft 6 in	6.25 m	24 ft 4 in	7.42 m
Working height - load platform <sup>(2)</sup> - forks down	4 ft 10.5 in	1.49 m	9 ft 9 in	2.97 m	14 ft 7.5 in	4.46 m	19 ft 6 in	5.94 m	24 ft 4 in	7.42 m
Working height - load platform <sup>(2)</sup> - forks up	6 ft 7 in	2.0 m	11 ft 5.5 in	3.49 m	16 ft 4 in	4.98 m	21 ft 2.5 in	6.46 m	26 ft .5 in	7.94 m
<b>A</b> Height - stowed	6 ft 6.5 in	1.99 m	6 ft 6.5 in	1.99 m	6 ft 6.5 in	1.99 m	6 ft 6.5 in	1.99 m	6 ft 6.5 in	1.99 m
<b>B</b> Standard base Length - stowed	2 ft 5 in	0.74 m	2 ft 5 in	0.74 m	2 ft 5 in	0.74 m	2 ft 5 in	0.74 m	2 ft 7 in	0.79 m
<b>C</b> Length - operating	4 ft 11.5 in	1.51 m	4 ft 11.5 in	1.51 m	6 ft 2 in	1.88 m	6 ft 2 in	1.88 m	6 ft 10 in	2.08 m
<b>D</b> Width - stowed <sup>(1)</sup>	2 ft 7.5 in	0.80 m	2 ft 7.5 in	0.80 m	2 ft 7.5 in	0.80 m	2 ft 7.5 in	0.80 m	-	-
Width - with stabilizers lowered	6 ft 1 in	1.85 m	6 ft 1 in	1.85 m	6 ft 1 in	1.85 m	6 ft 1 in	1.85 m	6 ft 1 in	1.85 m

## Productivity

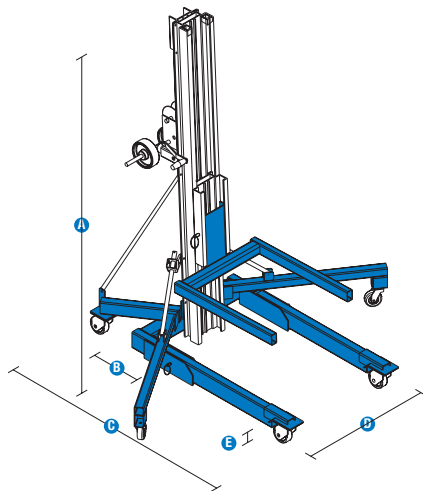
18 in (46 cm) load center	1,000 lb	454 kg	1,000 lb	454 kg	800 lb	363 kg	800 lb	363 kg	650 lb	295 kg
24 in (61 cm) load center	1,000 lb	454 kg	1,000 lb	454 kg	800 lb	363 kg	600 lb	272 kg	450 lb	204 kg
42 in (107 cm) load center	350 lb	159 kg	400 lb	181 kg	500 lb	227 kg	350 lb	159 kg	250 lb	113 kg

## Power

Average cranks - per length unit Standard winch - carriage moving	12.5/ft	41/m	12.5/ft	41/m	12.5/ft	41/m	12.5/ft	41/m	12.5/ft	41/m
Standard winch - mast moving	5.5/ft	18/m	5.5/ft	18/m	5.5/ft	18/m	5.5/ft	18/m	5.5/ft	18/m

## Weight and Floor Loading

Weight - Standard	215 lb	98 kg	260 lb	118 kg	333 lb	151 kg	405 lb	184 kg	450 lb	204 kg
Weight - Straddle base	258 lb	117 kg	303 lb	137 kg	360 lb	163 kg	-	-	-	-



Load Handling Attachments	Dimensions		Weight	
	US	METRIC	US	METRIC
Standard forks (l/w/d) <sup>(4)</sup>	27/23.5/2.5 in	69/60/6 cm	38.9 lb	18 kg
Standard fork size (each)	2.5/1.5 in	6/4 cm	-	-
Adjustable forks assembly (l/w/d) <sup>(3) (4)</sup>	27.5/24-30/2.5 in	70/61-76/6 cm	52.5 lb	24 kg
Adjustable fork size max (each)	2.5/1.5 in	6/4 cm	52.5 lb	24 kg
Fork extensions detached (each) (l/w/d) <sup>(3) (4)</sup>	30/2/3 in	76/5/8 cm	4.5 lb	2 kg
Fork extension attached (each) (l/w/d) <sup>(3) (4)</sup>	25/2/3 in	64/5/8 cm	4.5 lb	2 kg
Flat forks (l/w/d) <sup>(4)</sup>	32/16-31/1.5 in	-	80.1 lb	36 kg
Boom (l/w/d) <sup>(3) (4)</sup>	18,24,32,44/1.5/6 in	-	39.9 lb	18 kg
Load platform (l/w/d) <sup>(3) (4)</sup>	27.5/23/2.75 in	-	31.5 lb	14 kg

(1) Outside dimensions.

(2) For use with standard and adjustable forks only.

(3) Measured from ground to bottom of shackle.

(4) Length/width/depth, from end of carriage and outside of forks

# Genie® Superlift Advantage® SLA™ -5, SLA-10, SLA-15, SLA-20 & SLA-25

## SKU: Standard Model

- **SLA50001A00001:** SLA-5, Standard base
- **SLA50001A00002:** SLA-5, Straddle base
- **SLA10001A00001:** SLA-10, Standard base
- **SLA10001A00002:** SLA-10, Straddle base

\* Build to Order

## SKU: Standard Model

- **SLA15001A00001:** SLA-15, Standard base
- **SLA15001A00004:** SLA-15, Straddle base
- **SLA20001A00001:** SLA-20, Standard base, Stabilizer set
- **SLA25001A00001:** SLA-25, Standard base, Stabilizer set

Option availability		S	S+	BtO
Chassis	Rear transport wheel assembly			○
	Heavy-duty design	✓	✓	✓
	Portable compact design for easy transport and storage	✓	✓	✓
	Quick setup requires no tools	✓	✓	✓
	Stabilizer set (standard on SLA-20, SLA-25, not on Straddle base)			○
Mast	Mast brake			○
	One-speed manual winch, locks load in place	✓	✓	✓
	Patented telescoping mast system	✓	✓	✓
	Strong and lightweight aluminum telescoping mast	✓	✓	✓
	Transport carriage lock	✓	✓	✓
Two speed winch (SLA-15, SLA-20, SLA-25 only)			○	
Wheels & Casters	4in/10cm non-marking front casters	✓	✓	✓
	5in/12cm rear casters with side brakes	✓	✓	✓
Attachments	Adjustable width forks		✓	
	Boom		✓	
	Load platform		✓	
	Durable standard steel forks	✓	✓	✓
	Flat forks (SLA-5, SLA-10, SLA-15)		✓	✓
Fork extensions (use on Standard or Adjustable forks)		✓		

- S Standard
- S+ Standard +
- BtO Build to Order
- ✓ Standard Features
- Options



Quick Setup



Truck Portable



Max Lift Capacity



### Genie Genuine Accessories<sup>(1)</sup>

(1) More accessories available from Genie Genuine Parts.

Product specifications are subject to change without notice or obligation. Photographs and/or drawings herein are for illustrative purposes only. Refer to the appropriate Operator's Manual for instructions on proper equipment use. Failure to follow instructions in the Operator's Manual may result in serious injury or death. The only warranty applicable to our equipment is the standard written warranty applicable to the particular product and sale and we make no other warranty, express or implied. Products and services listed may be trademarks, service marks or trade names of Terex Corporation and/or their subsidiaries in the USA and many other countries. Terex, Genie, Xtra Capacity, Lift Power, Lift Guard, Lift Tools, Lift Connect and Tech Pro Link are registered trademarks of Terex Corporation or its subsidiaries.