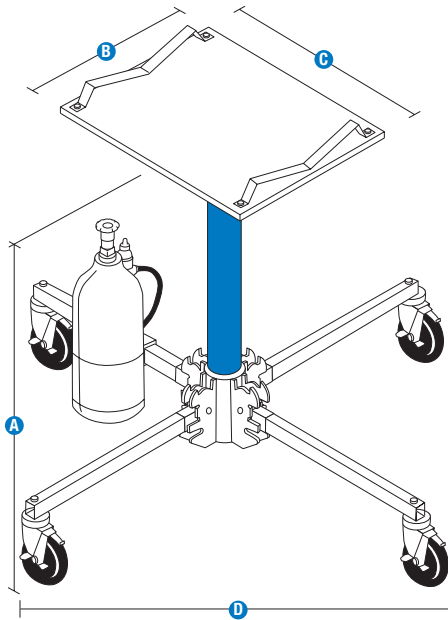


Genie® Super Hoist™ GH™ -3.8 & GH-5.6

Specifications

Models	GH-3.8		GH-5.6	
Measurements	US	METRIC	US	METRIC
A Height - stowed	3 ft 5 in	1.04 m	4 ft 6 in	1.37 m
Height - lifting height	12 ft 5.6 in	3.80 m	18 ft 4.5 in	5.6 m
B Standard base Length - platform	1 ft 5 in	0.43 m	1 ft 5 in	0.43 m
C Standard base Width - platform	2 ft	0.61 m	2 ft	0.61 m
D Width - base (corner to corner)	4 ft 5 in	1.35 m	4 ft 5 in	1.35 m
Productivity				
Load capacity	300 lb	136 kg	250 lb	113 kg
Storage/transport dimensions	14×14× 39.5 in	0.36×0.36× 1.0 m	14×14× 39.5 in	0.36×0.36× 1.0 m
Power				
Recommended PSI	85 psi	5.86 bar	85 psi	5.86 bar
Weight and Floor Loading				
Weight	75 lb	34 kg	82 lb	37 kg



Genie® Super Hoist™ GH™ -3.8 & GH-5.6

SKU: Standard Model

- **GH380001A00001:** Super Hoist GH-3.8
- **GH560001A00001:** Super Hoist GH-5.6

* Build to Order

Option availability		S	S+	BtO
Chassis	Portable compact design for easy transport and storage	✓	✓	✓
	Powered by CO2 or compressed air	✓	✓	✓
	Quick setup requires no tools	✓	✓	✓
Mast	Auto-lubricating cylinder	✓	✓	✓
	Removable one-piece platform with a twist of the wrist	✓	✓	✓
	Up/down dump valve activated by patented control handle	✓	✓	✓
Wheels	8in/20.32cm solid non-marking wheels	✓	✓	✓
	Braking casters	✓	✓	✓
	Fold-up legs for easy storage	✓	✓	✓
Attachments	CO2 tank		✓	
	Platform cradle package		✓	

- S Standard
- S+ Standard +
- BtO Build to Order
- ✓ Standard Features
- Options



Quick Setup



Truck Portable



Lightweight



Genie Genuine Accessories⁽¹⁾

(1) More accessories available from Genie Genuine Parts.

Product specifications are subject to change without notice or obligation. Photographs and/or drawings herein are for illustrative purposes only. Refer to the appropriate Operator's Manual for instructions on proper equipment use. Failure to follow instructions in the Operator's Manual may result in serious injury or death. The only warranty applicable to our equipment is the standard written warranty applicable to the particular product and sale and we make no other warranty, express or implied. Products and services listed may be trademarks, service marks or trade names of Terex Corporation and/or their subsidiaries in the USA and many other countries. Terex, Genie, Xtra Capacity, Lift Power, Lift Guard, Lift Tools, Lift Connect and Tech Pro Link are registered trademarks of Terex Corporation or its subsidiaries.